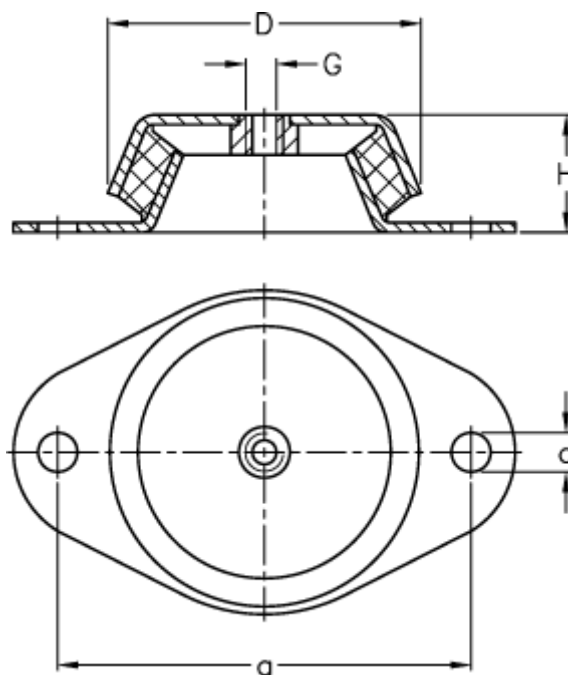


Article number: 51836546160010

Description: Vibration damper GMF 160/60

Measures



a	= 200
D	= 160
d	= 16.2
G	= M16
H	= 60
Load (daN)	= 1000